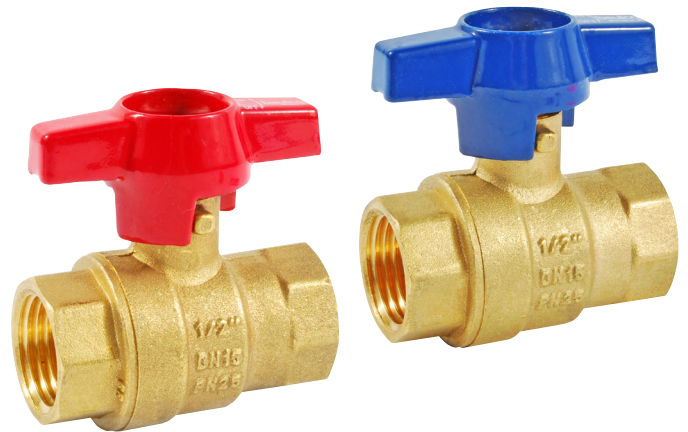


## Ball valve 3405 and 3406

- Dezincification resistant brass
- Female thread  $\frac{3}{8}$ " -  $\frac{3}{4}$ "
- Full flow valve
- Double stem gaskets



### Description

Ball valve.

### Construction

Ball valve in dezincification resistant brass with full flow (bore), gaskets in PTFE and EPDM. Connection female thread  $\frac{3}{8}$ " -  $\frac{3}{4}$ ". T-handle in aluminium.

### Marking

DN and PN.

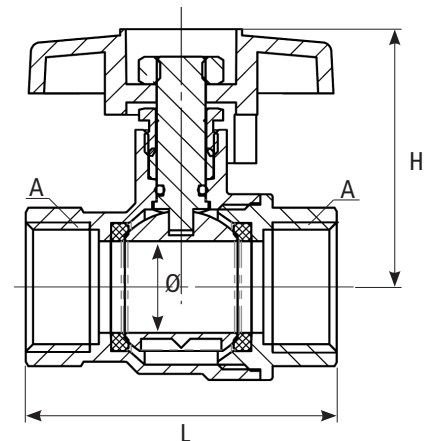
### Maintenance

The ball valve must be operated periodically, two to three times a year.

### Technical data

Body	Dezincification resistant brass CW625N
Ball seal	PTFE
Stem gaskets	PTFE and EPDM

Maximum working pressure: 25 bar  
 Maximum working temperature: +130°C  
 Minimum working temperature: -20°C



Item number	Description	Connection thread A	Length L	Centrum height H	Bore $\varnothing$	Weight (kg per piece)
0403405110	Ball valve 3405-10, $\frac{3}{8}$ "F, T-handle-red	$\frac{3}{8}$ "F	51	42,3	10	0,16
0403405150	Ball valve 3405-15, $\frac{1}{2}$ "F, T-handle-red	$\frac{1}{2}$ "F	51	42,3	15	0,22
0403406150	Ball valve 3406-15, $\frac{1}{2}$ "F, T-handle-blue	$\frac{1}{2}$ "F	51	42,3	15	0,22

All dimensions in millimetres

Subject to technical changes and corrections without notice